

Project Name \_\_\_\_\_

Location \_\_\_\_\_

Salesman \_\_\_\_\_

Drawing # \_\_\_\_\_

Faucet \_\_\_\_\_

Edge Detail \_\_\_\_\_ (mark finished edge with an "x")

Room# \_\_\_\_\_

---

---

---

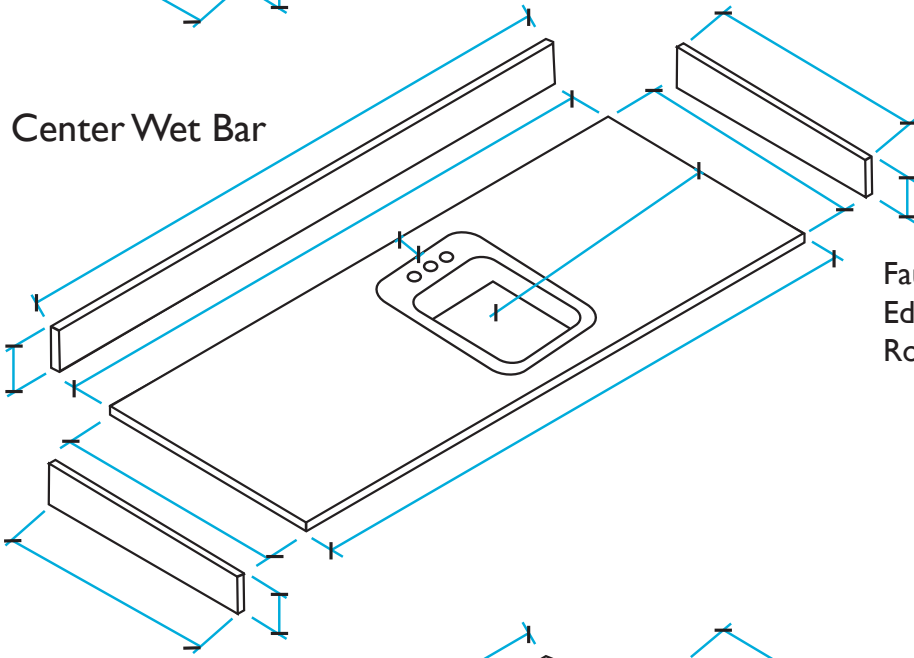
---

---

---

---

---



Faucet \_\_\_\_\_

Edge Detail \_\_\_\_\_ (mark finished edge with an "x")

Room# \_\_\_\_\_

---

---

---

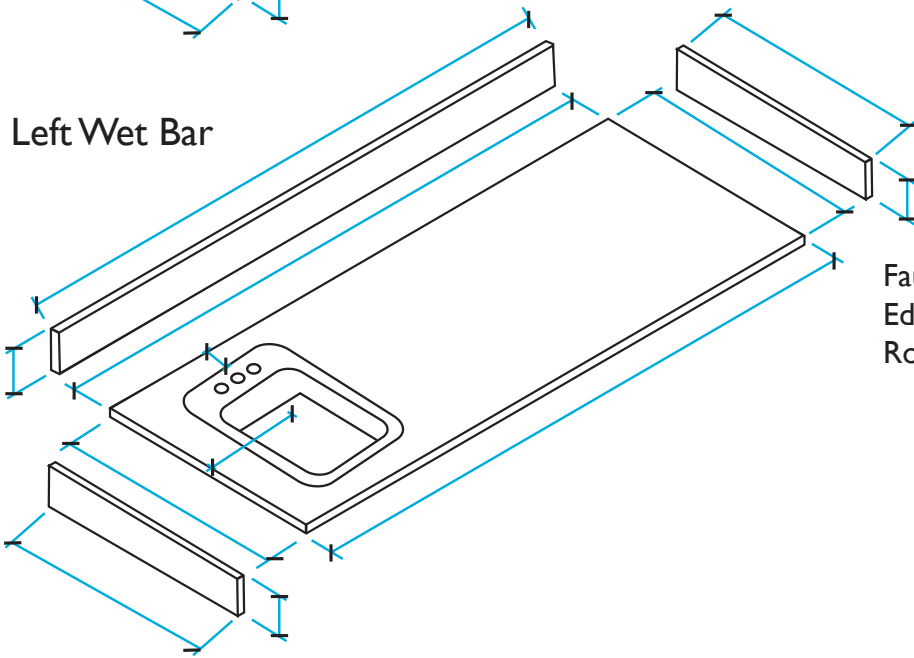
---

---

---

---

---



Faucet \_\_\_\_\_

Edge Detail \_\_\_\_\_ (mark finished edge with an "x")

Room# \_\_\_\_\_

---

---

---

---

---

---

---

---