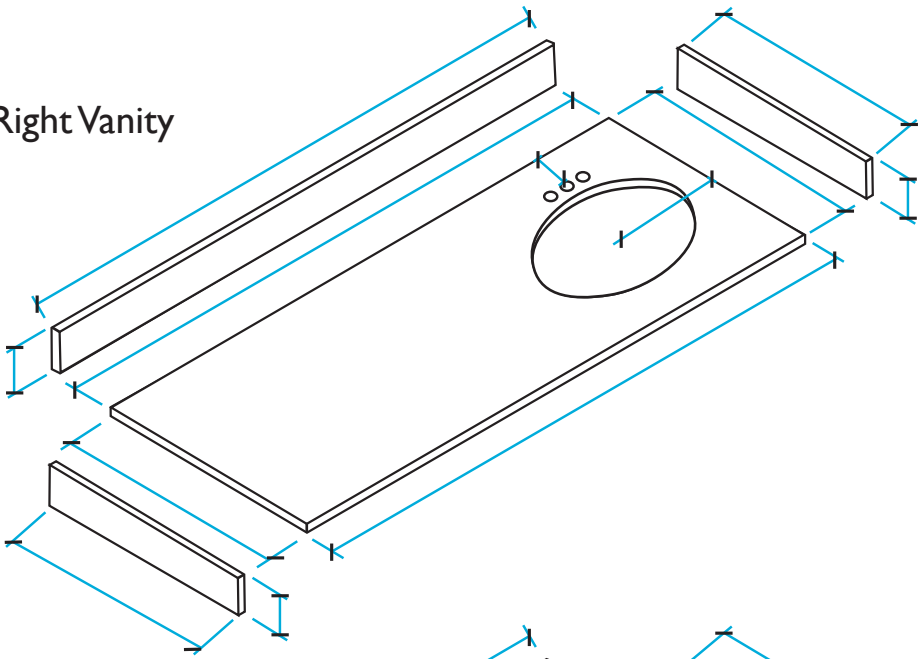
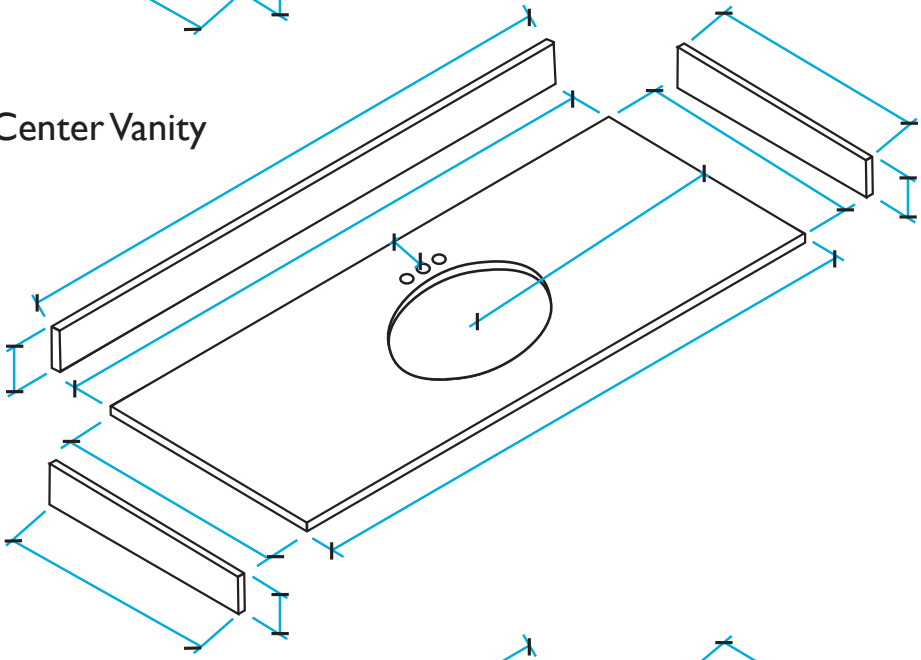


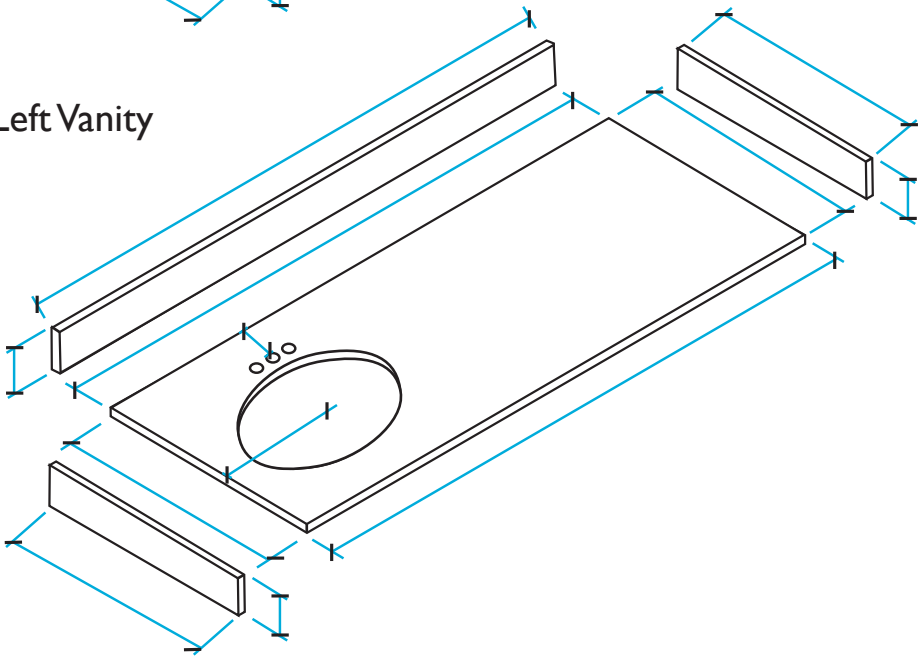
Right Vanity



Center Vanity



Left Vanity



Project Name _____

Location _____

Salesman _____

Drawing # _____

Faucet _____

Edge Detail _____ (mark finished edge with an "x")

Toilet Paper Dispenser _____

Facial Tissue Dispenser _____

Room# _____

Faucet _____

Edge Detail _____ (mark finished edge with an "x")

Toilet Paper Dispenser _____

Facial Tissue Dispenser _____

Room# _____

Faucet _____

Edge Detail _____ (mark finished edge with an "x")

Toilet Paper Dispenser _____

Facial Tissue Dispenser _____

Room# _____

