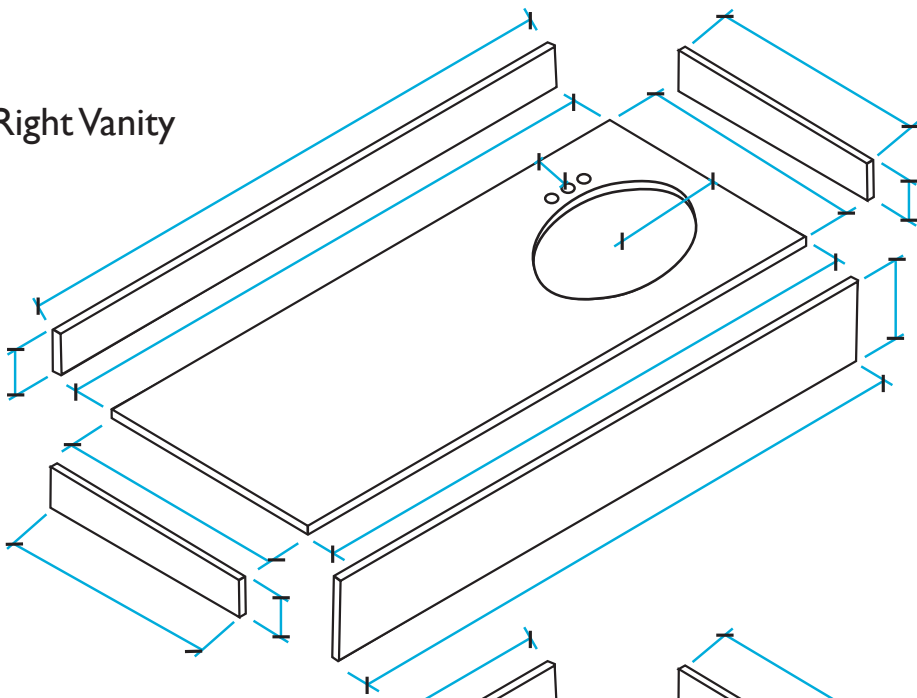
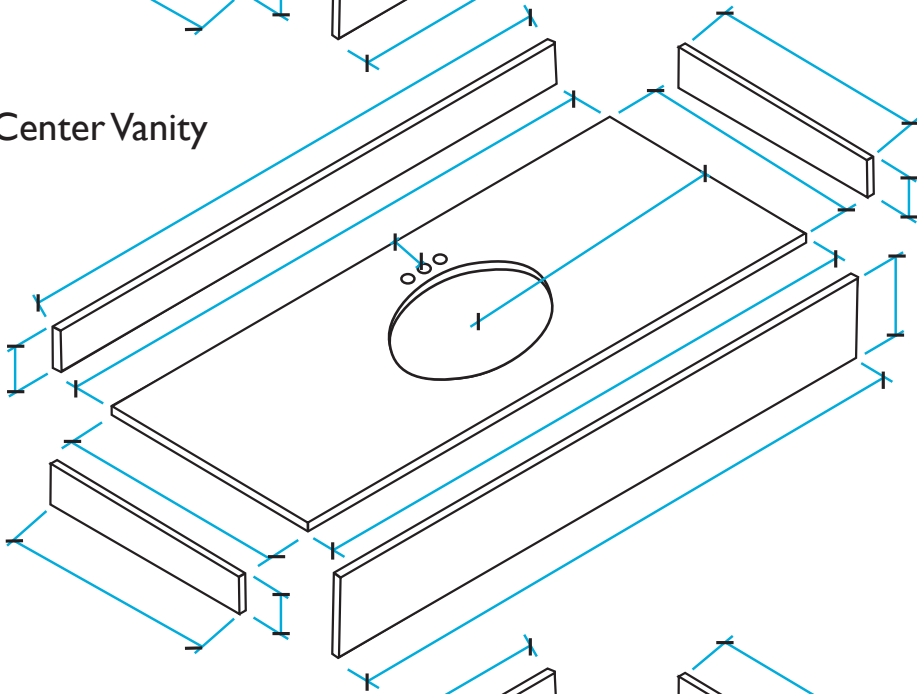


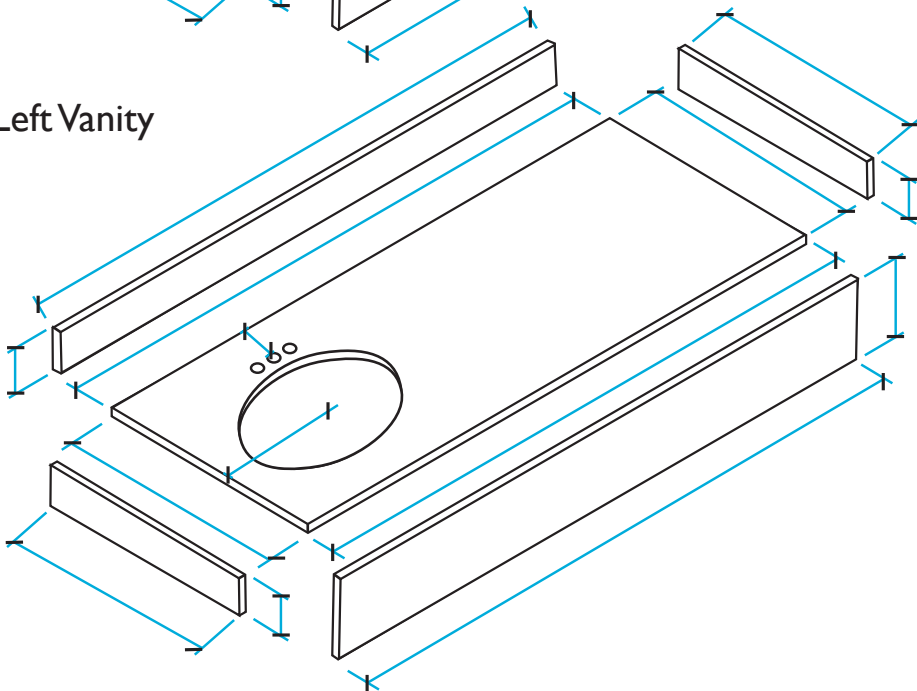
Right Vanity



Center Vanity



Left Vanity



Project Name \_\_\_\_\_

Location \_\_\_\_\_

Salesman \_\_\_\_\_

Drawing # \_\_\_\_\_

Faucet \_\_\_\_\_

Edge Detail \_\_\_\_\_ (mark finished edge with an "x")

Toilet Paper Dispenser \_\_\_\_\_

Facial Tissue Dispenser \_\_\_\_\_

Room# \_\_\_\_\_

\_\_\_\_\_  
\_\_\_\_\_  
\_\_\_\_\_  
\_\_\_\_\_  
\_\_\_\_\_

Faucet \_\_\_\_\_

Edge Detail \_\_\_\_\_ (mark finished edge with an "x")

Toilet Paper Dispenser \_\_\_\_\_

Facial Tissue Dispenser \_\_\_\_\_

Room# \_\_\_\_\_

\_\_\_\_\_  
\_\_\_\_\_  
\_\_\_\_\_  
\_\_\_\_\_  
\_\_\_\_\_

Faucet \_\_\_\_\_

Edge Detail \_\_\_\_\_ (mark finished edge with an "x")

Toilet Paper Dispenser \_\_\_\_\_

Facial Tissue Dispenser \_\_\_\_\_

Room# \_\_\_\_\_

\_\_\_\_\_  
\_\_\_\_\_  
\_\_\_\_\_  
\_\_\_\_\_  
\_\_\_\_\_