

Project Name \_\_\_\_\_

Location \_\_\_\_\_

Salesman \_\_\_\_\_

Faucet \_\_\_\_\_

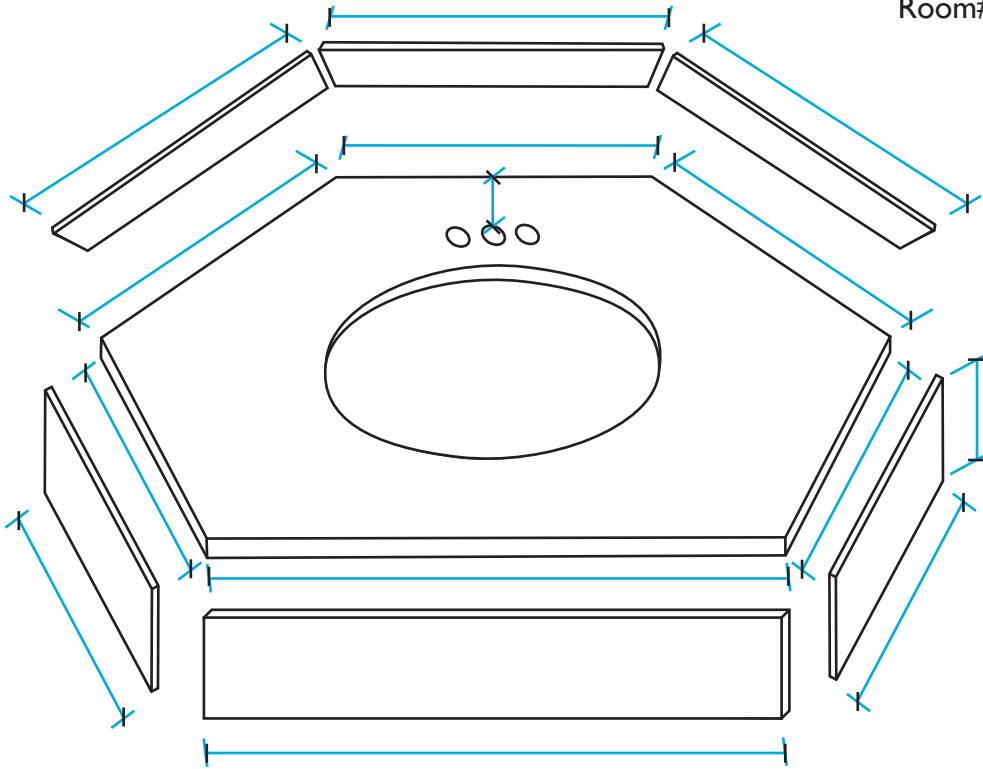
Edge Detail \_\_\_\_\_ (mark finished edge with an "x")

Toilet Paper Dispenser \_\_\_\_\_

Facial Tissue Dispenser \_\_\_\_\_

Room# \_\_\_\_\_

### Trapezoidal Corner Vanity




---

---

---

---

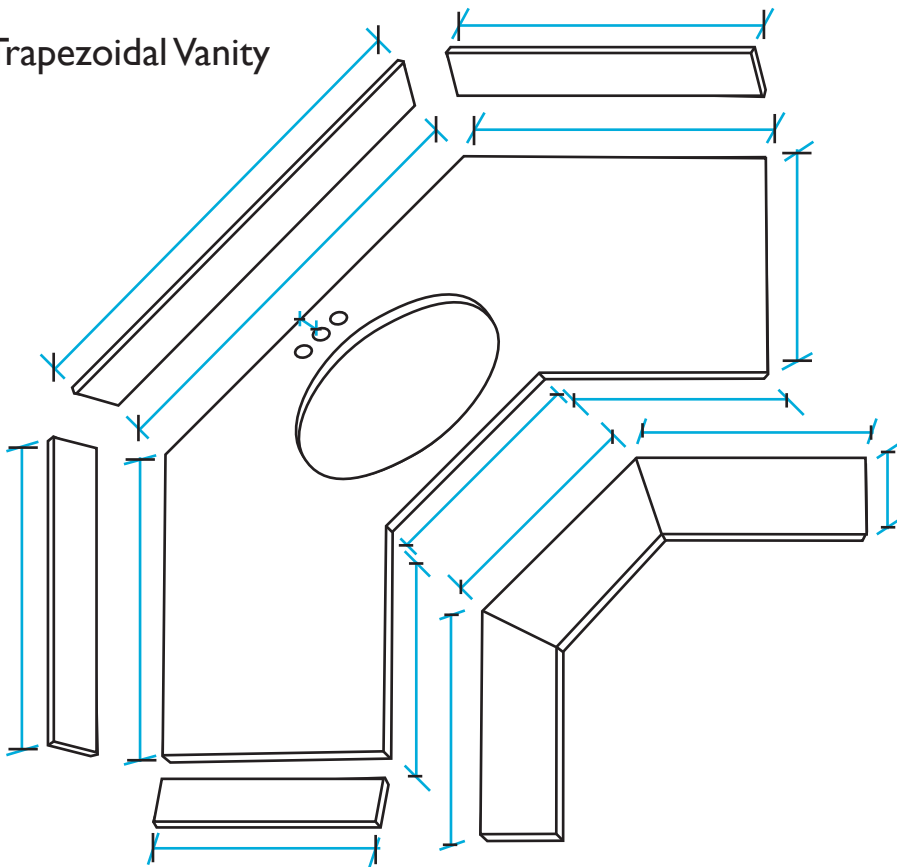
---

---

---

---

### Trapezoidal Vanity



Faucet \_\_\_\_\_

Edge Detail \_\_\_\_\_ (mark finished edge with an "x")

Toilet Paper Dispenser \_\_\_\_\_

Facial Tissue Dispenser \_\_\_\_\_

Room# \_\_\_\_\_

---

---

---

---

---

---

---

---