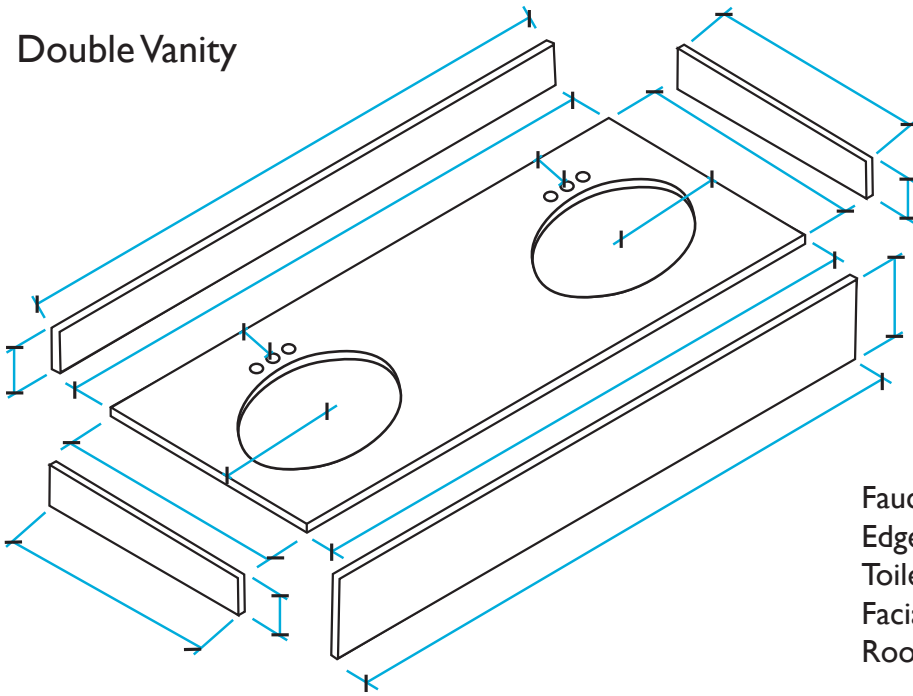


Double Vanity



Project Name _____

Location _____

Salesman _____

Drawing # _____

Faucet _____

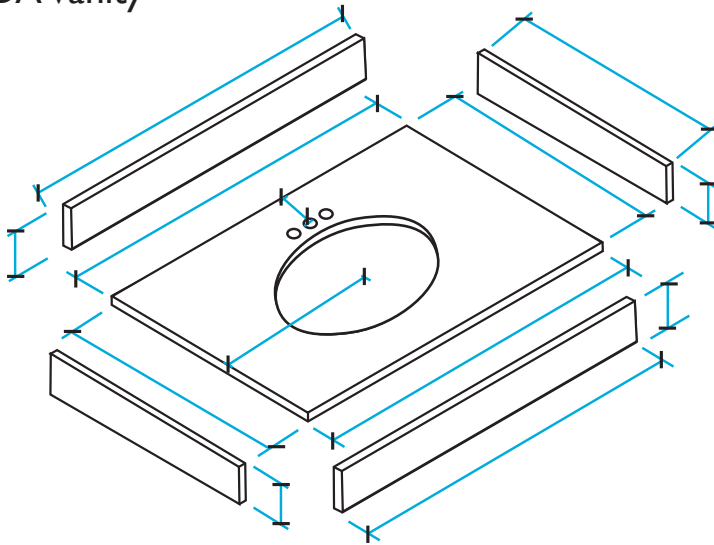
Edge Detail _____ (mark finished edge with an "x")

Toilet Paper Dispenser _____

Facial Tissue Dispenser _____

Room# _____

ADA Vanity



Faucet _____

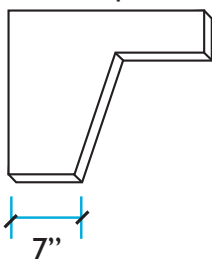
Edge Detail _____ (mark finished edge with an "x")

Toilet Paper Dispenser _____

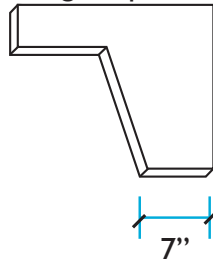
Facial Tissue Dispenser _____

Room# _____

Left Apron



Right Apron



Polish both sides?

yes no